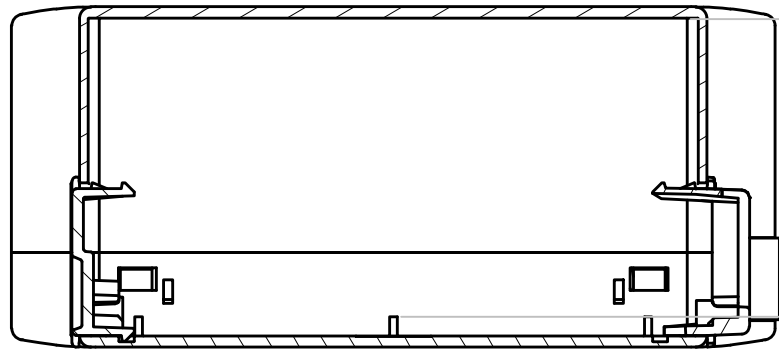


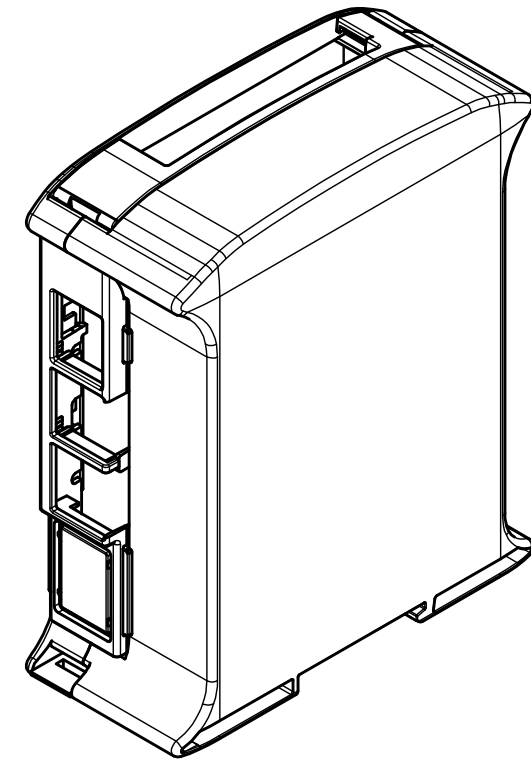
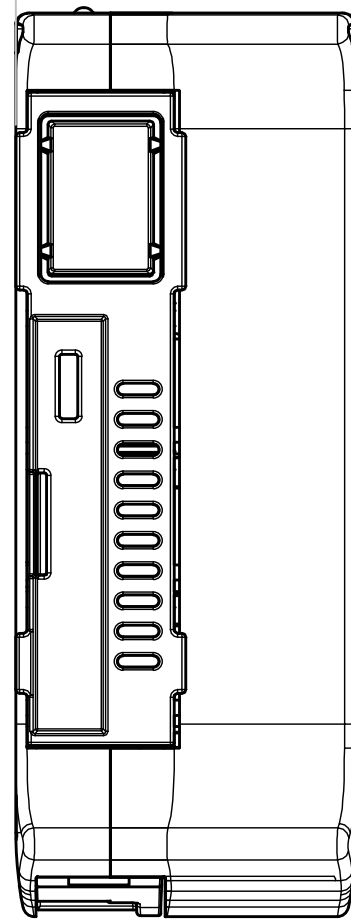
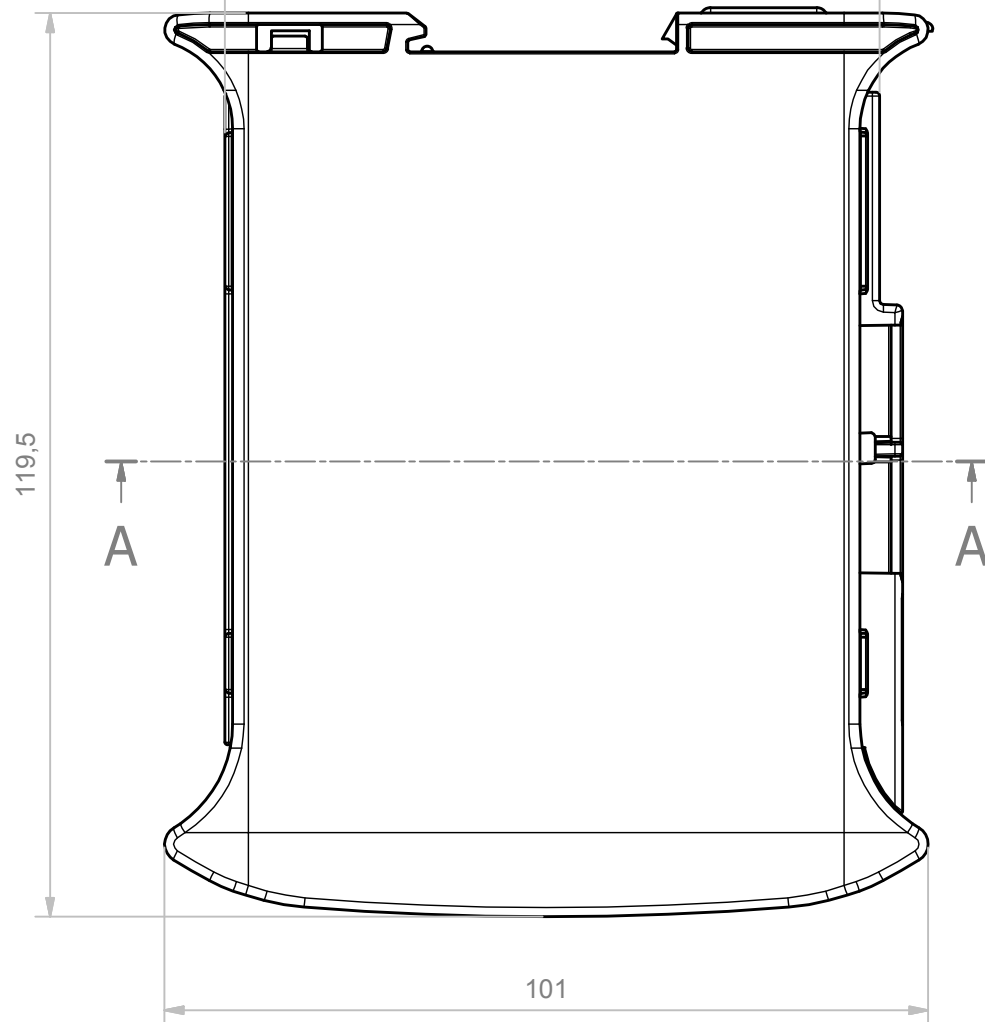
A-A (1:1)



39,4

86,6

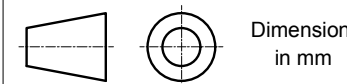
45



COMPONENTS LIST				
RIF.	Q.TY	DESCRIPTION	CODE	
1	1	MOLLA PER AGGANCIAMENTO RAILBOX	P10000000M	
2	1	GANCIO RAILBOX ROSSO - RED HOOK RAILBOX	R-00249	
3	1	BASE RAILBOX 12.5 MM 3L	R-03429	
4	1	KIT ACCESSORI RASPBERRY B+ PER RAILBOX - KIT ACCESSORIES FOR RASPBERRY B + RAILBOX	R-05914	
5	1	COPERCHIO RAILBOX 32.5 MM 3L PANNELLO STANDARD -	R-03495	
Da 0,5 a 3		Oltre 3 fino a 6	Oltre 6 fino a 30	Oltre 30 fino a 120
± 0,1		± 0,1	± 0,2	± 0,3
				± 0,5

RESERVED PROPERTY

The present drawing cannot be reproduced or communicated to 3d parties, even partially, without the authorization of ITALTRONIC Srl. Italtronic reserves to protect its own rights according to the law.



SHEET NR.
1 / 1

DRAWING BY
GAD
Manual modification are not allowed

GENERAL TOLERANCE
UNI EN 22768/1
Media (m)

Date: 18/03/2015

Replace nr.

Drawn: Rigato N.

Checked: Dalla Montà D.

Scale:

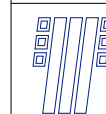
Revision description

5 4 3 2 1



Denomination:

KIT 45 RAILBOX RASPBERRY PI B+



ITALTRONIC S.R.L.
VIA AUSTRIA 25/D 35127
PADOVA - ITALY
www.italtronic.com

Drawing nr.

R-05916-00