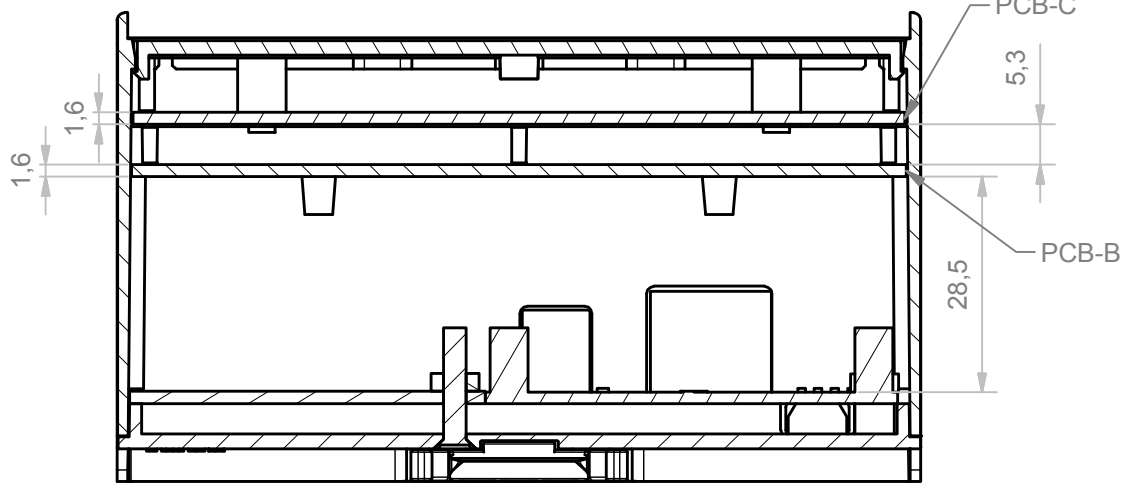
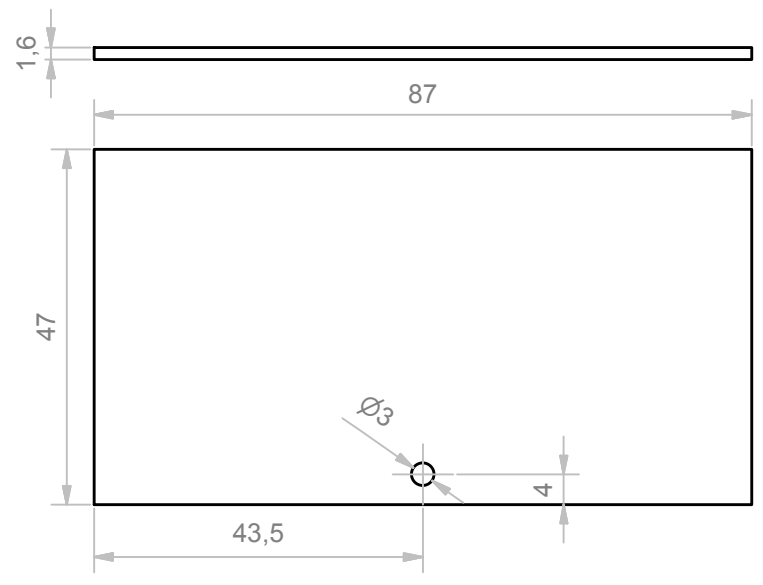


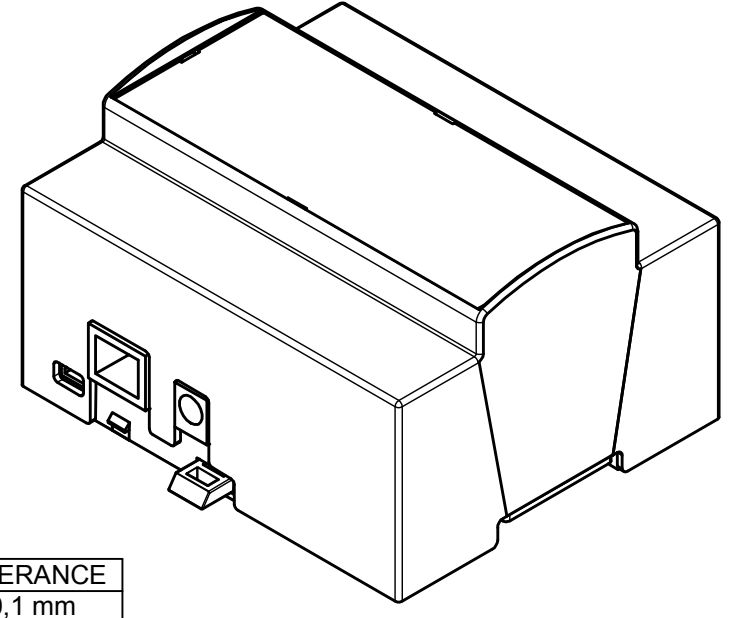
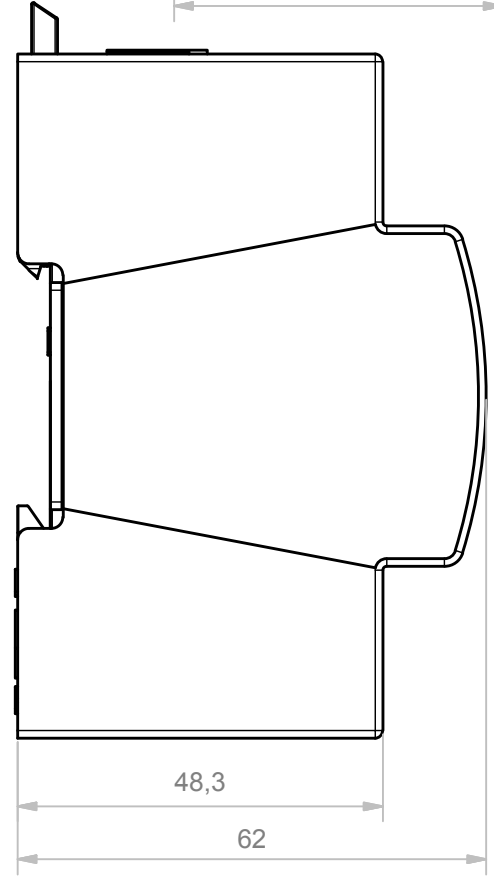
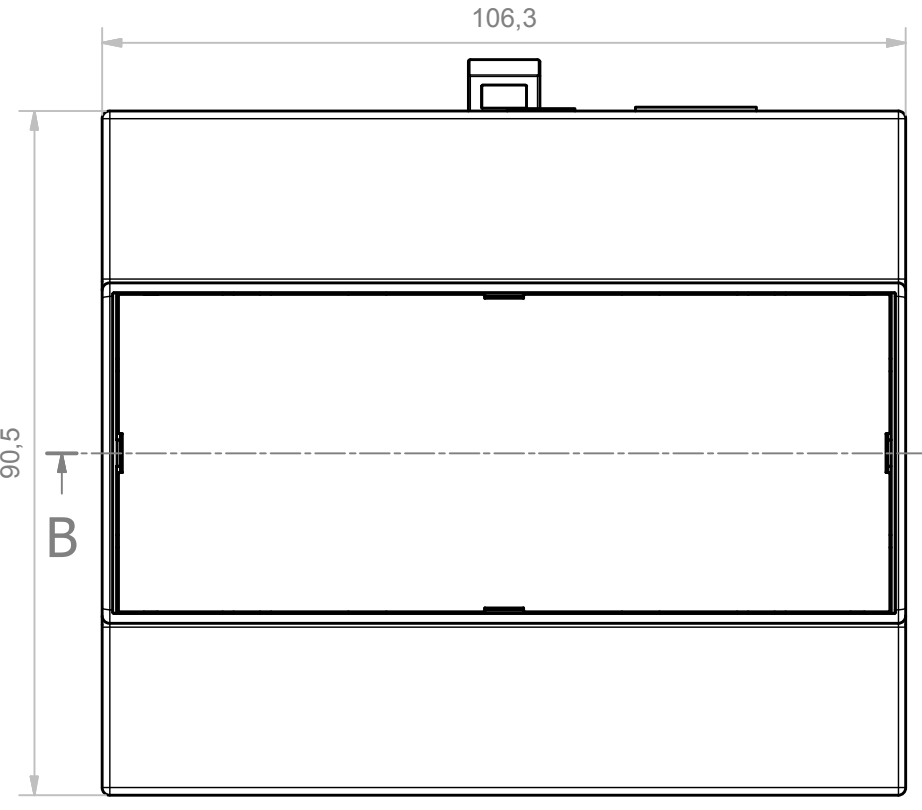
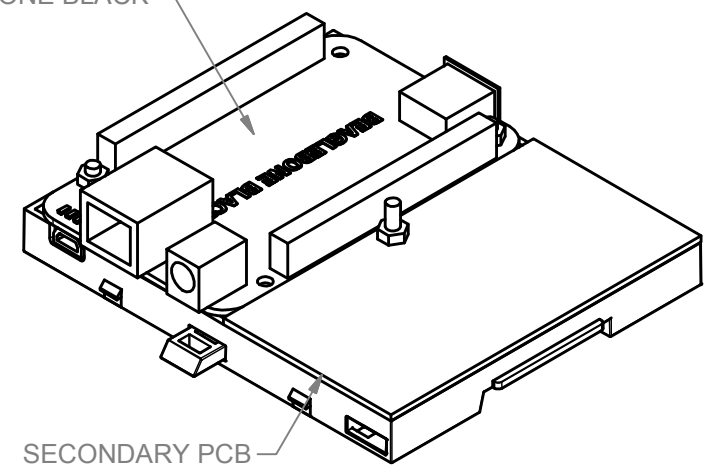
B-B (1:1)



SECONDARY PCB



PCB BEAGLEBONE BLACK



PCB TYPE	PCB DIMENS	TOLERANCE
B	102,5 x 58,7	±0,1 mm
C	102,1 x 42,0	±0,1 mm

Da 0,5 a 3	Oltre 3 fino a 6	Oltre 6 fino a 30	Oltre 30 fino a 120	Oltre 120
± 0,1	± 0,1	± 0,2	± 0,3	± 0,5

<b>RESERVED PROPERTY</b> The present drawing cannot be reproduced or communicated to 3d parties, even partially, without the authorization of ITALTRONIC Srl. Italtronic reserves to protect its own rights according to the law.	Dimension in mm	SHEET NR.	DRAWING BY	GENERAL TOLERANCE <b>UNI EN 22768/1</b> Media (m)
		1 / 1		
Drawn: Rigato N.	Checked: Dalla Montà D.	Date: 30/09/2014	Replace nr.	Revision description

 UN PARTNER PER IL FUTURO	Denomination:
	Kit 6M XTS Beaglebone
 eternovica	Drawing nr. <b>M-05632-00</b>

**ITALTRONIC S.R.L.**  
 VIA AUSTRIA 25/D 35127  
 PADOVA - ITALY  
[www.italtronic.com](http://www.italtronic.com)

5 4 3 2 1