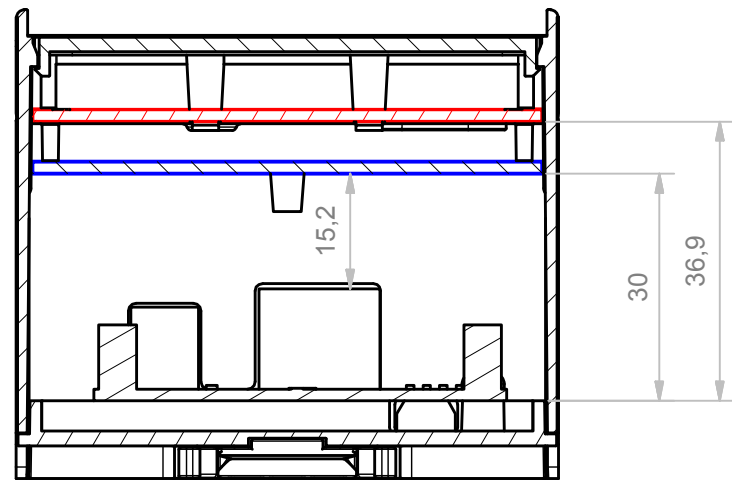
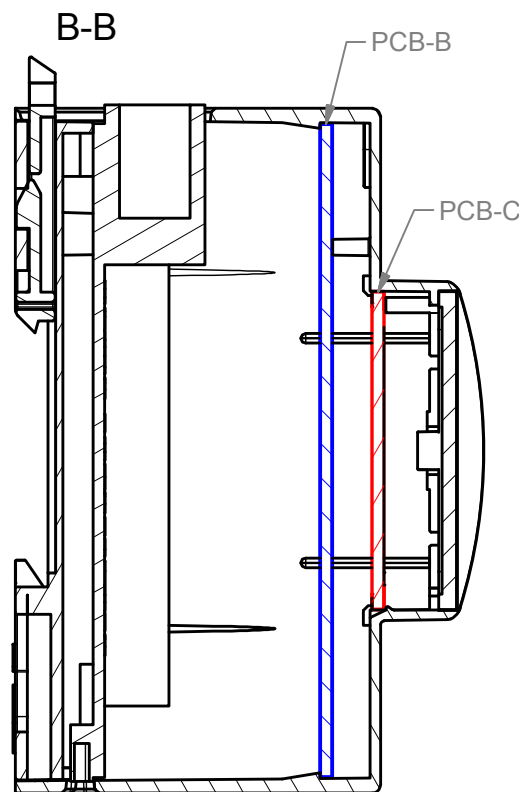
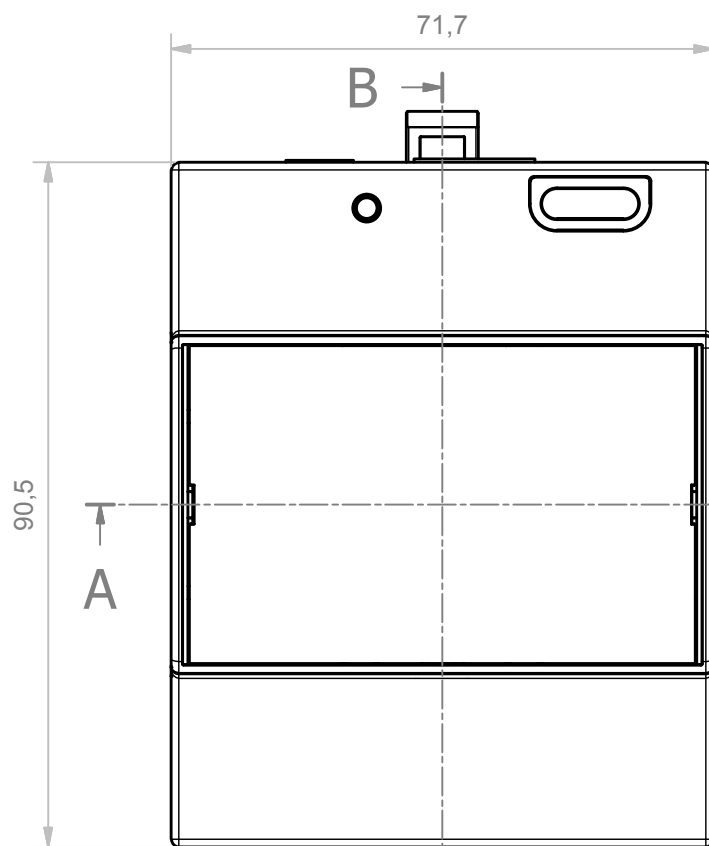
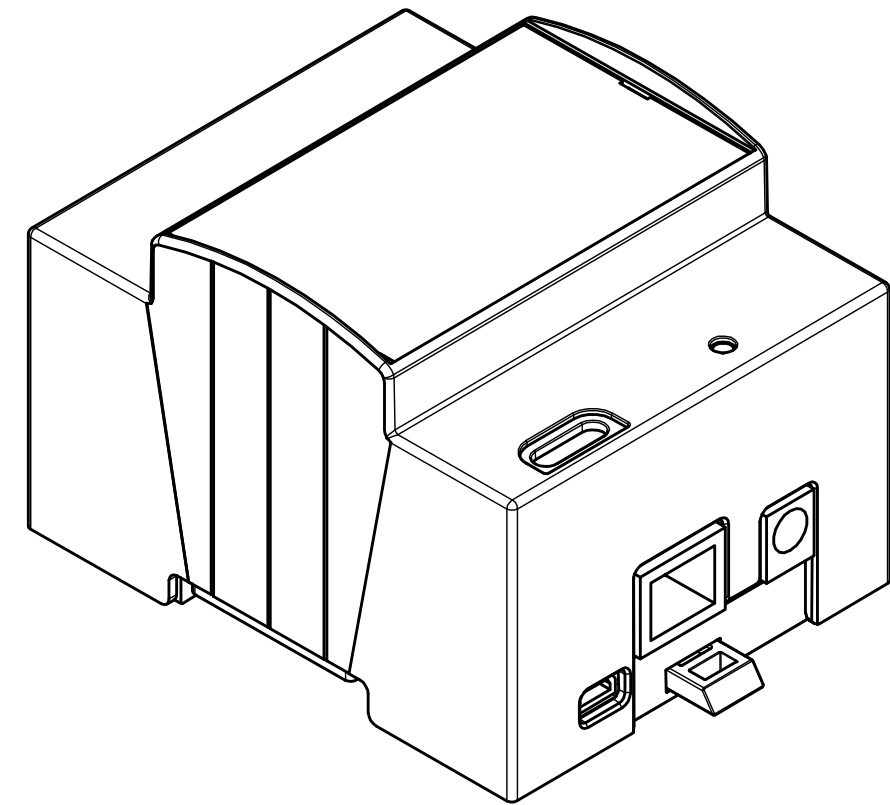


A-A



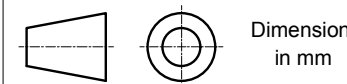
| COMPONENTS LIST | | |
|-----------------|------------|-----------|
| PCB TYPE | PCB DIMENS | TOLERANCE |
| B | 67.6X86.4 | ±0,1 mm |
| C | 67.4X42.0 | ±0,1 mm |



| COMPONENTS LIST | | | | |
|-----------------|------|--|-------------------|---------------------|
| RIF. | Q.TY | DESCRIPTION | CODE | |
| 1 | 1 | CONTENITORE 4M53-C BEAGLEBONE - BODY 4M53-C BEAGLEBONE | M-05202 | |
| 2 | 1 | BASE 4MXT BEAGLEBONE | M-05203 | |
| 3 | 1 | PANNELLO 4M SENZA CORNICE - PANEL 4M WITHOUT FRAME | M-00346 | |
| 4 | 2 | VITE d 2.9X6.5 TRONCA - SCREW 2.9X6.5 d TRUNC | | |
| 5 | 1 | AGGANCIO MODULBOX - HOOK MODULBOX | M-01900 | |
| Da 0,5 a 3 | | Oltre 3 fino a 6 | Oltre 6 fino a 30 | Oltre 30 fino a 120 |
| ± 0,1 | | ± 0,1 | ± 0,2 | ± 0,3 |
| | | | | ± 0,5 |

RESERVED PROPERTY

The present drawing cannot be reproduced or communicated to 3d parties, even partially, without the authorization of ITALTRONIC Srl. Italtronic reserves to protect its own rights according to the law.



SHEET NR.
1 / 1

DRAWING BY
GAD
Manual modification are not allowed

GENERAL TOLERANCE
UNI EN 22768/1
Media (m)

Date: 26/02/2014

Replace nr.

Drawn: Rigato N.

Checked: Dalla Montà D.

Scale:

Revision description

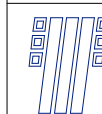


UN PARTNER PER IL FUTURO
Plastic+ Group
eternovica Italtronic

Denomination:

Modulbox 4M Beaglebone

Modulbox 4M Beaglebone



ITALTRONIC S.R.L.
VIA AUSTRIA 25/D 35127
PADOVA - ITALY
www.italtronic.com

Drawing nr.

M-05339-01

Aggiunto quote. 04/12/2014 Rigato N.

5 4 3 2 1